

## FEATURES

- High efficiency toilet with low consumption
- Washdown gravity flushing system
- 100% factory flush tested
- Dual flush

## MODELS

- 6006
- S-trap.250mm Roughing-in
- P-trap.180mm Roughing-in

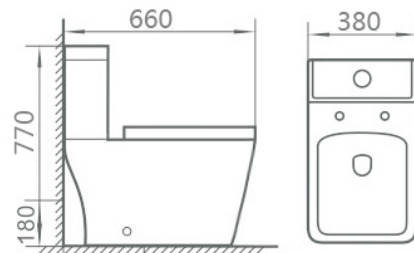
## COLORS/FINISHES

- White

## PRODUCT SPECIFICATION

- Water use 4.0/6.0 L
- Flush system Washdown flushing system
- Material Vitreous China
- Product Size 660 x 380 x 770 mm

## Washdown two-piece toilet



## FEATURES

- High efficiency toilet with low consumption
- Washdown gravity flushing system
- 100% factory flush tested
- Dual flush

## MODELS

- 6118
- S-trap.250mm Roughing-in
- P-trap.180mm Roughing-in

## COLORS/FINISHES

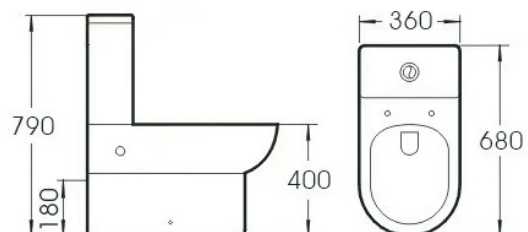
- White

## Washdown two-piece toilet



## PRODUCT SPECIFICATION

- Water use 4.0/6.0 L
- Flush system Washdown flushing system
- Material Vitreous China
- Product Size 680 x 360 x 790 mm



## FEATURES

- High efficiency toilet with low consumption
- Washdown gravity flushing system
- 100% factory flush tested
- Dual flush

## MODELS

- 6116
- S-trap.250mm Roughing-in
- P-trap.180mm Roughing-in

## COLORS/FINISHES

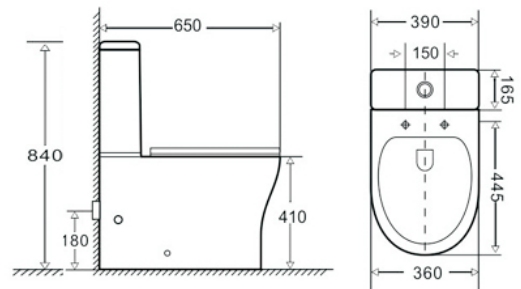
- White

## Washdown two-piece toilet



## PRODUCT SPECIFICATION

- Water use 4.0/6.0 L
- Flush system Washdown flushing system
- Material Vitreous China
- Product Size 650 x 390 x 840 mm



## FEATURES

- High efficiency toilet with low consumption
- Washdown gravity flushing system
- 100% factory flush tested
- Dual flush

## MODELS

- 6012
- S-trap.250mm Roughing-in
- P-trap.180mm Roughing-in

## COLORS/FINISHES

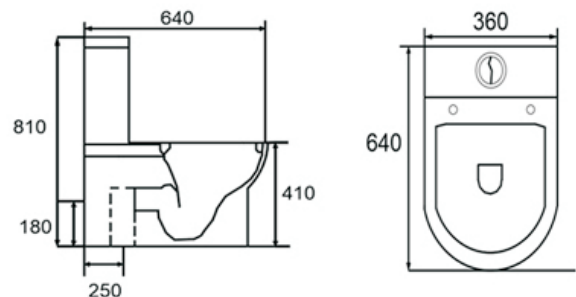
- White

## Washdown two-piece toilet



## PRODUCT SPECIFICATION

- Water use 4.0/6.0 L
- Flush system Washdown flushing system
- Material Vitreous China
- Product Size 640 x 360 x 810 mm



## FEATURES

- High efficiency toilet with low consumption
- Washdown gravity flushing system
- 100% factory flush tested
- Dual flush

## MODELS

- 6117
- S-trap.250mm Roughing-in
- P-trap.180mm Roughing-in

## COLORS/FINISHES

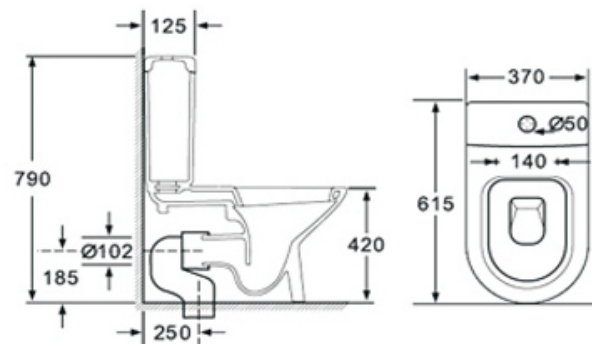
- White

## Washdown two-piece toilet



## PRODUCT SPECIFICATION

- Water use 4.0/6.0 L
- Flush system Washdown flushing system
- Material Vitreous China
- Product Size 615 x 370 x 790 mm



## FEATURES

- High efficiency toilet with low consumption
- Washdown gravity flushing system
- 100% factory flush tested
- Dual flush

## MODELS

- 6039
- S-trap.250mm Roughing-in
- P-trap.180mm Roughing-in

## COLORS/FINISHES

- White

## Washdown two-piece toilet



## PRODUCT SPECIFICATION

- Water use 4.0/6.0 L
- Flush system Washdown flushing system
- Material Vitreous China
- Product Size 645 x 375 x 755 mm

